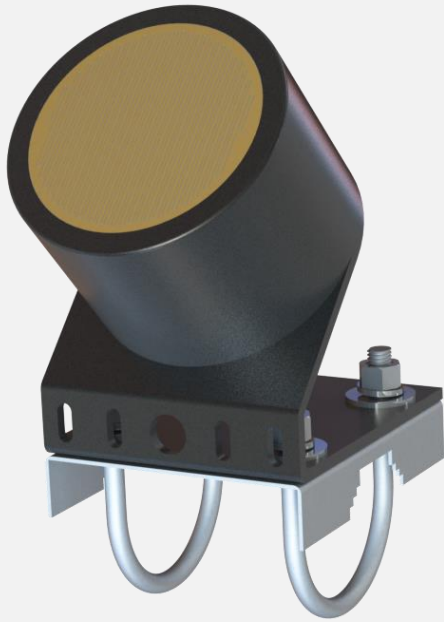


RAIN DETECTOR

WxRD-141



The **WxRD-141** is a device designed to detect the presence or absence of rainfall. It utilizes a contact circuit impedance method, ensuring high accuracy and stability in measurements. Additionally, it features a heater that allows for rapid surface recovery when rainfall occurs. The sensing unit is detachable, facilitating easy maintenance and replacement.

Specification

Measuring Method	Contact circuit impedance
Measuring Range	Rain, snow, hail, etc.
Accuracy	Within 1 minute
Detection Surface Specification	Grid shape, 15~30° degree gradient
Output	On 1 V, OFF 0 V
Heater (Detection surface temperature)	No rainfall(snow) : 15 °C Rainfall(snow): 50 °C
Operating Environment	-40 ~ +60 °C

Dimension Unit : mm

